

EUROSTYLE P.C.B. TERMINAL BLOCK – ETB3A SERIES



WIRE PROTECTOR TYPE PITCH=5.08 / 10.16mm

FEATURES

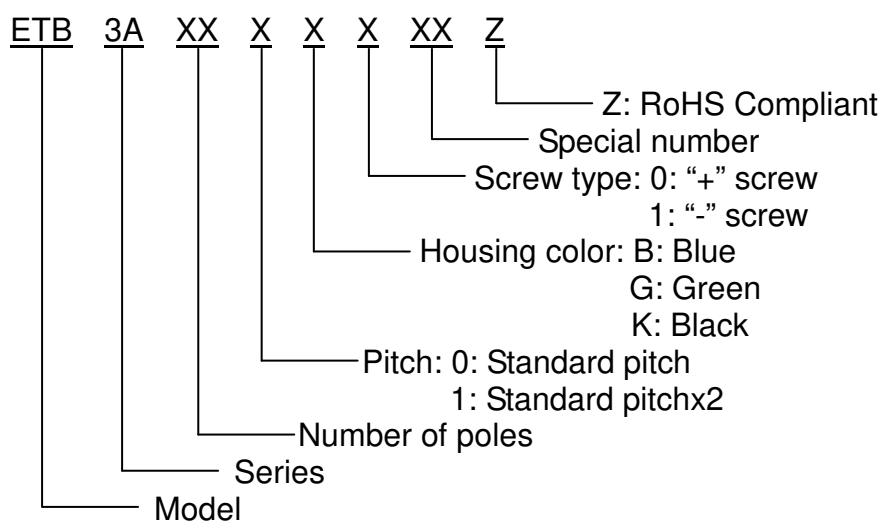
- Easy to assemble for any number of positions
- End stackable without any loss of P.C.B. space
- Special wire protector design to ensure reliable wire clamping
- UL 94V-0 grade fire retardant engineering plastic used for the housing
- Be capable of clamping a wide range of wire diameters
- Compact size for P.C.B.

SPECIFICATIONS

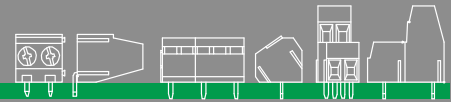
- Pitch 5.08mm, 10.16mm
- Wire range 24~14 AWG (2.5mm²)
- No. of pole per block 2P or 3P
- Rating 16 Amp, 300 VAC
- Housing PA66
- Terminals Tin plated over Zinc Alloy
- Screws M2.6x0.45P, Zinc plated over Steel
- Wire protector Stainless Steel
- Torque 0.25 N-m (2.18 lb-in) (tested by manual torque screwdriver)
- Operating temperature -30°C ~+110°C (includes temperature rise limit)
- Stripping length 6mm
- UL Approval 300V, 16A, 24~14 AWG



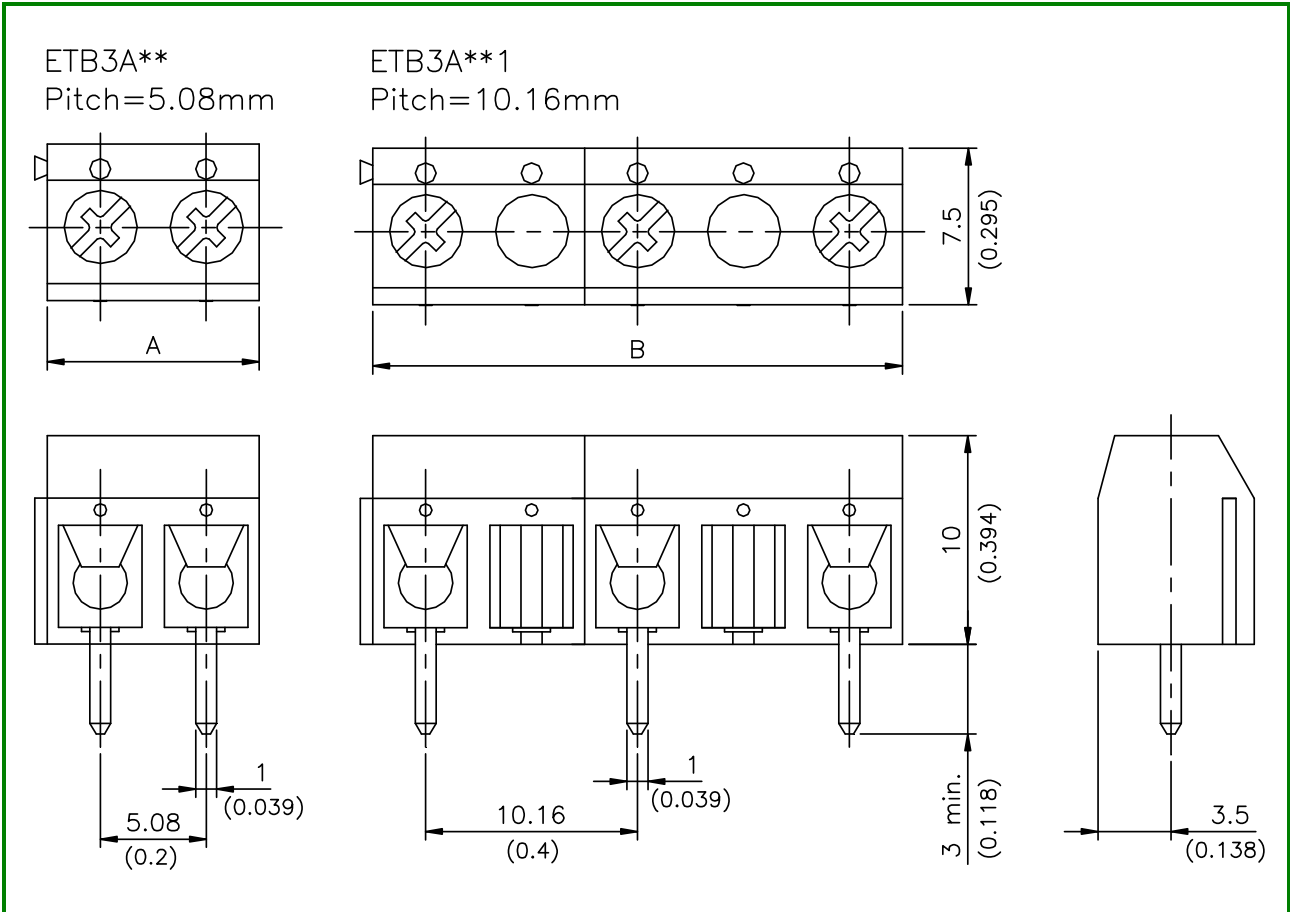
PART NUMBERING SYSTEM



EUROSTYLE P.C.B. TERMINAL BLOCK – ETB3A SERIES



DRAWING



POLE DIM.	2	3	4	5	6	7	8	9	10	11	12	13
A	10.16 (0.400)	15.24 (0.600)	20.32 (0.800)	25.40 (1.000)	30.48 (1.200)	35.56 (1.400)	40.64 (1.600)	45.72 (1.800)	50.80 (2.000)	55.88 (2.200)	60.96 (2.400)	66.04 (2.600)
B	15.24 (0.600)	25.40 (1.000)	35.56 (1.400)	45.72 (1.800)	55.88 (2.200)	66.04 (2.600)	76.20 (3.000)	86.36 (3.400)	96.52 (3.800)	106.68 (4.200)	116.84 (4.600)	
POLE DIM.	14	15	16	17	18	19	20	21	22	23	24	
A	71.12 (2.800)	76.20 (3.000)	81.28 (3.200)	86.36 (3.400)	91.44 (3.600)	96.52 (3.800)	101.60 (4.000)	106.68 (4.200)	111.76 (4.400)	116.84 (4.600)	121.92 (4.800)	